



# LED PANEL LIGHT Series



- Ultra-Thin Panel Light Series
- Project Panel Light Series

Places where energy saving and high color rendering index lighting are needed.



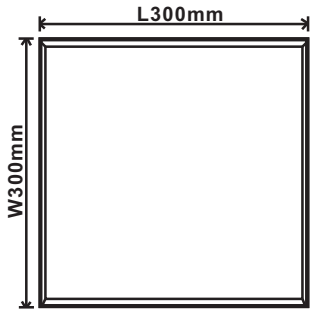
RoHS



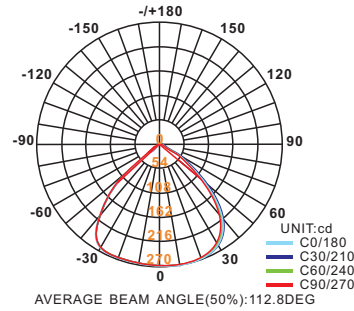




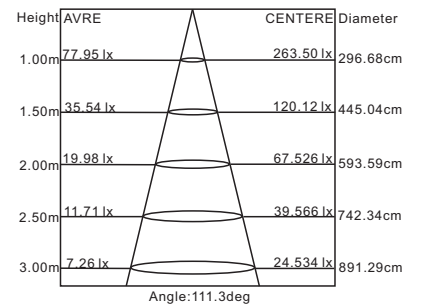
<b>Model</b>	<b>KL-3030</b>
Input Voltage	220-240V~(50/60Hz)
Power	12W
Light Source	SMD2835/SMD4014
Color Rendering Index	>80
Color Temperature	3000-6500K
Lumen	840-900lm
Beam Angle	180°
Application Temperature	-20~45°C
Dimmension	L300*W300*H10mm
Cut Hole Size	L <sub>1</sub> 290*W <sub>1</sub> 290mm
Material	PC+Aluminum



**Light Distribution Curve 6000K**



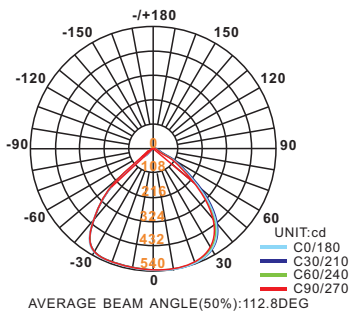
**Average E(LX) Figure 6000K**



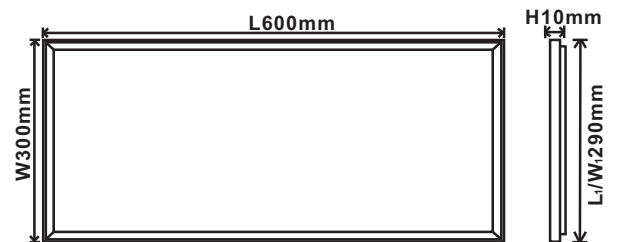
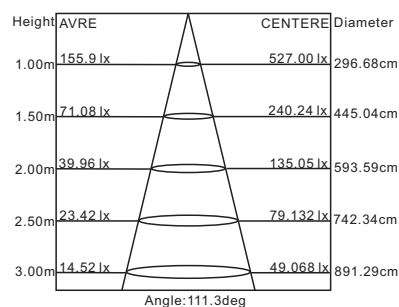
<b>Model</b>	<b>KL-3060</b>
Input Voltage	220-240V~(50/60Hz)
Power	24W
Light Source	SMD2835/SMD4014
Color Rendering Index	>80
Color Temperature	3000-6500K
Lumen	1680-1800lm
Beam Angle	180°
Application Temperature	-20~45°C
Dimmension	L300*W600*H10mm
Cut Hole Size	L <sub>1</sub> 290*W <sub>1</sub> 590mm
Material	PC+Aluminum



**Light Distribution Curve 6000K**

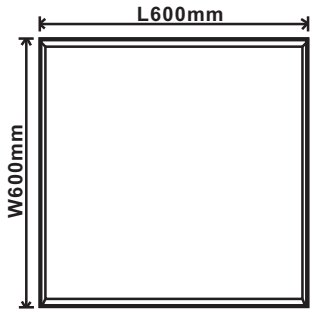


**Average E(LX) Figure 6000K**

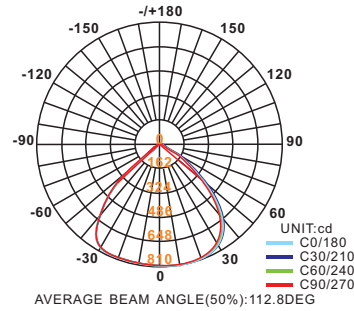




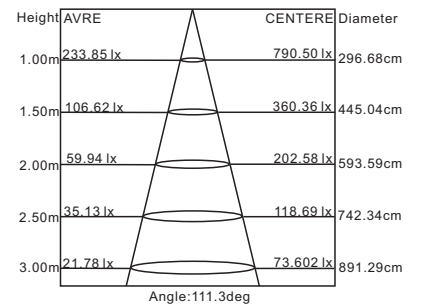
Model	KL-6060
Input Voltage	220-240V~(50/60Hz)
Power	36W
Light Source	SMD2835/SMD4014
Color Rendering Index	>80
Color Temperature	3000-6500K
Lumen	2520-2700lm
Beam Angle	180°
Application Temperature	-20~45°C
Dimmension	L600*W600*H10mm
Cut Hole Size	L <sub>1</sub> 590*W <sub>1</sub> 590mm
Material	PC+Aluminum



Light Distribution Curve 6000K



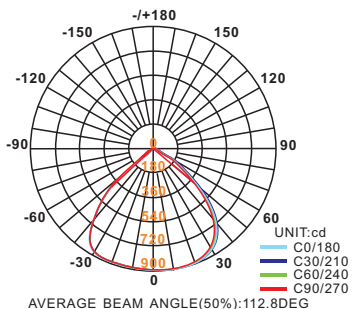
Average E(LX) Figure 6000K



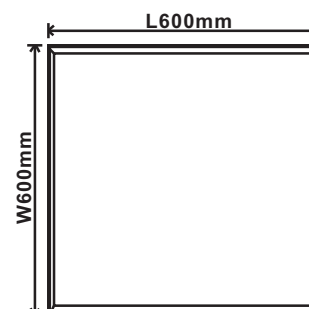
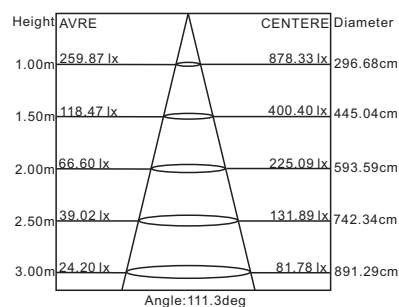
Model	KL-6060(A)
Input Voltage	220-240V~(50/60Hz)
Power	40W
Light Source	SMD2835/SMD4014
Color Rendering Index	>80
Color Temperature	3000-6500K
Lumen	2800-3000lm
Beam Angle	180°
Application Temperature	-20~45°C
Dimmension	L600*W600*H10mm
Cut Hole Size	L <sub>1</sub> 590*W <sub>1</sub> 590mm
Material	PC+Aluminum



Light Distribution Curve 6000K

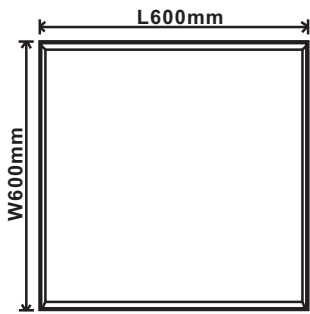


Average E(LX) Figure 6000K

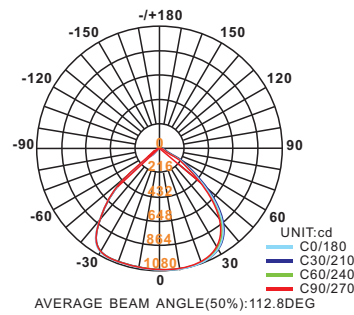




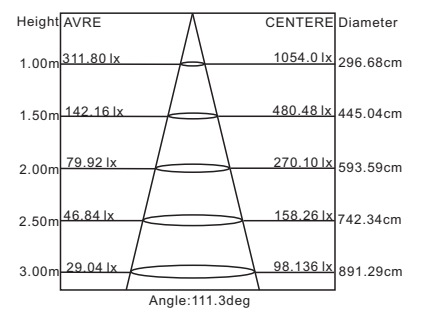
Model	KL-6060(A1)
Input Voltage	220-240V~(50/60Hz)
Power	48W
Light Source	SMD2835/SMD4014
Color Rendering Index	>80
Color Temperature	3000-6500K
Lumen	3360-3600lm
Beam Angle	180°
Application Temperature	-20~45°C
Dimmension	L600*W600*H10mm
Cut Hole Size	L <sub>1</sub> 590*W <sub>1</sub> 590mm
Material	PC+Aluminum



Light Distribution Curve 6000K



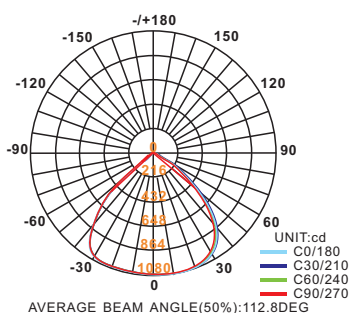
Average E(LX) Figure 6000K



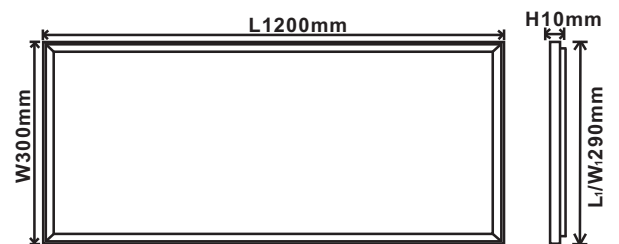
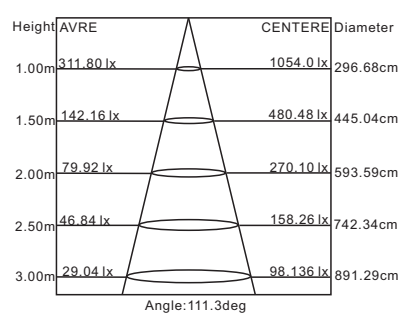
Model	KL-30120
Input Voltage	220-240V~(50/60Hz)
Power	48W
Light Source	SMD2835/SMD4014
Color Rendering Index	>80
Color Temperature	3000-6500K
Lumen	3360-3600lm
Beam Angle	180°
Application Temperature	-20~45°C
Dimmension	L300*W1200*H10mm
Cut Hole Size	L <sub>1</sub> 290*W <sub>1</sub> 1190mm
Material	PC+Aluminum



Light Distribution Curve 6000K

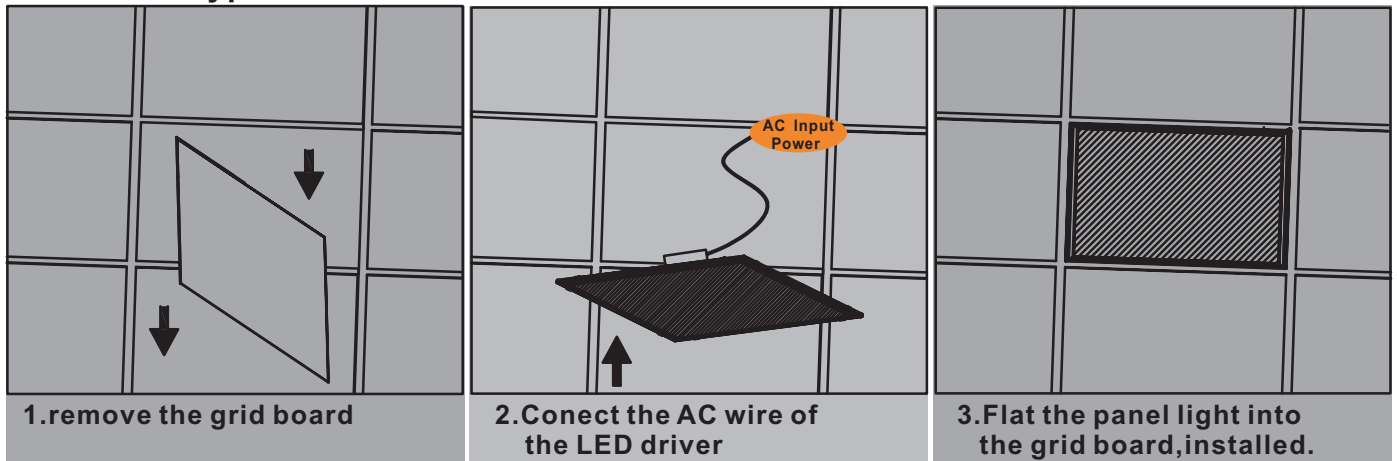


Average E(LX) Figure 6000K

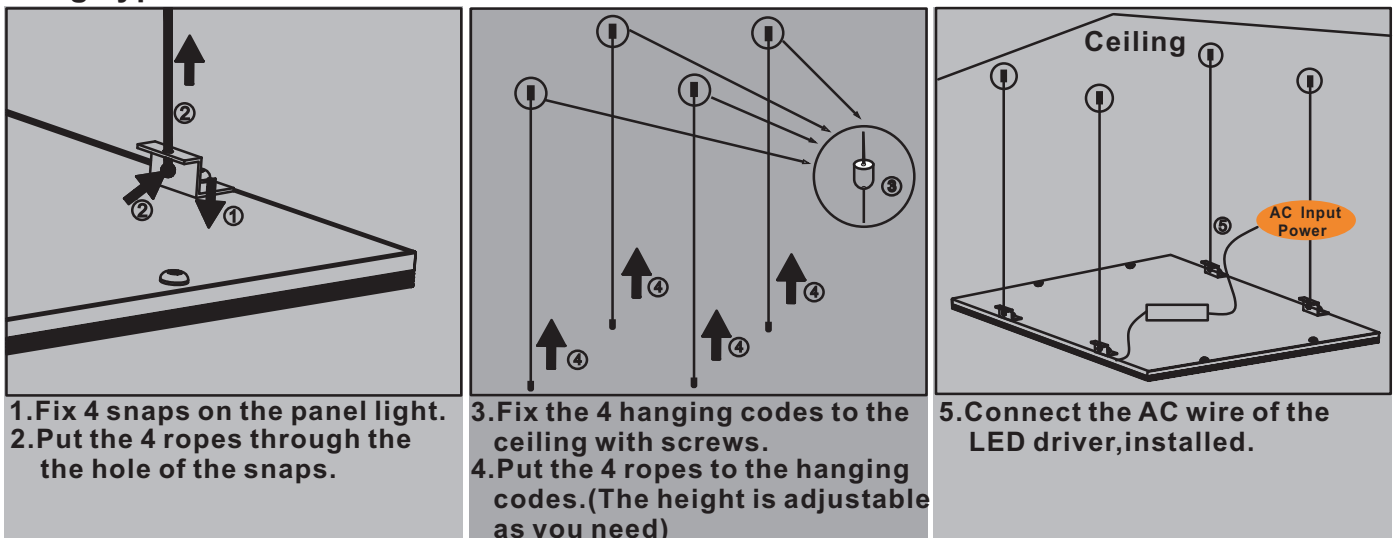


## Installation and Operation Instruction:

### Embedded Type



### Hang Type



## The Wiring Diagram:

